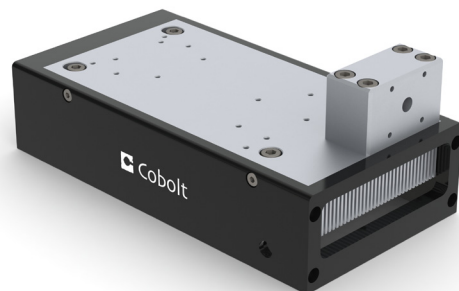


# Cobolt FIC-07

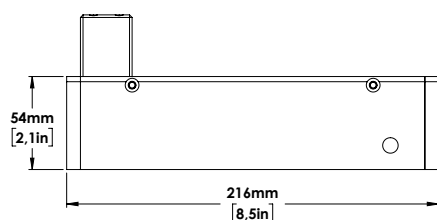
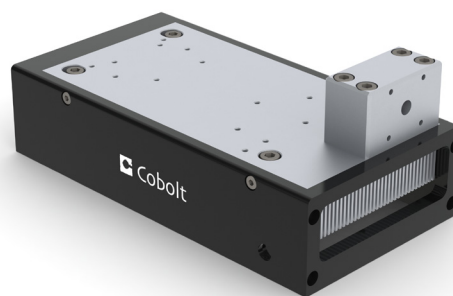
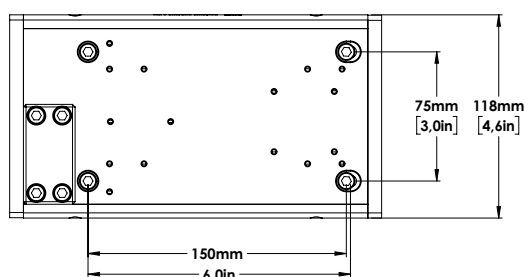
## Mounting plate for laser-to-fiber coupling - no fan

Cobolt model number	FIC-07
Thermal resistance	< 0.25 K/W
Material	Aluminium
FIC-07 is suitable for use with all Cobolt lasers in the following models:	Cobolt 04-01 Series incl. 04-05 Cobolt 06-01 Series Cobolt 08-01 Series Cobolt Tor™ XS
Dimensions [mm] [inches]	216 x 118 8.5 x 4.6
Weight	1,8 kg

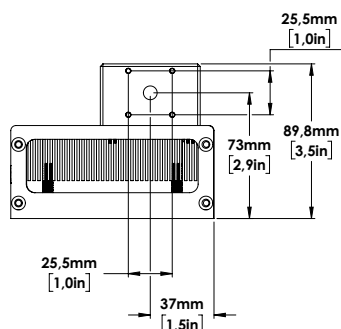


The option FIC-07 is recommended for Cobolt 04-01 incl. 04-05, Cobolt 06-01, Cobolt 08-01 Series and Cobolt Tor™ XS. The option consists of a non-fanned heatsink and a coupling block to mount the fiber coupler onto.

Fiber coupling options for either multimode fiber (MM) or single-mode polarization maintaining (SM/PM) fiber can be ordered separately. The FIC-07 can be bolted to a standard metric or imperial optical table.



For Cobolt 04-series



*Illustration of possible configuration. Laser and fiber coupling option should be ordered separately.*